

Product availability: Non-Stock - Not normally stocked in distribution facility



Main

Range of Product	Modicon STB distributed I/O solution
Product or Component Type	Basic analog input kit
Kit composition	STBAVI1255 module STBXTS2100, 6-terminal spring clamp connector STBXTS1100, 6-terminal screw type connector STBXBA1000 base
Analogue input type	Voltage 0...10 V
Analogue input number	2
Analogue input resolution	10 bits
Type of filter	Single low pass input filter 25 Hz

Complementary

Absolute maximum input	50 V DC
Response Time	5 ms
Cold swapping	Yes
Hot swapping fallback	No for basic NIMs
Data format	EN 61131-2 IEC 61131-2
Update time	10 Ms
Integral linearity	+/- 0.2 %FS
Differential linearity	Monotonic
Input impedance	400 kOhm
Maximum supply current for sensors	100 MA per input channels
Maximum source impedance	1 KOhm
Absolute accuracy error	+/- 0.5 % of full scale 25 °C
Temperature Drift	+/-0.01 %/°C
Insulation between channels and logic bus	1500 V for 1 minute
Insulation between channels and sensor bus	30 V
Addressing requirement	2 input words
Product Compatibility	Mounting base STBXBA1000 Power distribution module STBPDT3100/3105
[Us] rated supply voltage	24 V DC
Supply	Power distribution module

Current consumption	30 mA 5 V DC logic bus
Marking	CE
Overvoltage category	II
Status LED	Module status (RDY) 1 LED Green)
Net Weight	0.26 Lb(US) (0.116 kg)

Environment

Product Certifications	FM Class 1 Division 2 ATEX Cat 3G UL CSA C-tick
Pollution degree	2 IEC 60664-1
Operating altitude	<= 6561.68 ft (2000 m)
IP degree of protection	IP20 conforming to EN 61131-2 class 1
Ambient Air Temperature for Operation	32...140 °F (0...60 °C)
Ambient air temperature for operation	32...140 °F without derating
Ambient air temperature for storage	-40...185 °F (-40...85 °C) without derating
Ambient air temperature for storage	-40...185 °F without derating
Relative humidity	95 % 140 °F (60 °C) without condensation
Vibration resistance	+/-0.35 mm 10...58 Hz 3 gn 58...150 Hz 35 x 7.5 mm symmetrical DIN rail 5 gn 58...150 Hz 35 x 15 mm symmetrical DIN rail
Shock resistance	30 gn 11 ms IEC 88 reference 2-27

Ordering and shipping details

Category	18215 - ADVANTYS STB I/O
Discount Schedule	PC32
GTIN	03595863948912
Nbr. of units in pkg.	1
Package weight(Lbs)	4.76 Oz (135 g)
Returnability	No
Country of origin	ID

Packing Units

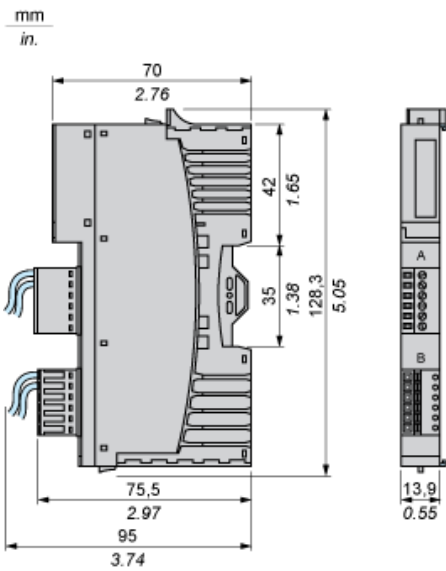
Unit Type of Package 1	PCE
Package 1 Height	0.98 In (2.5 cm)
Package 1 width	3.15 In (8 cm)
Package 1 Length	5.12 In (13 cm)

Offer Sustainability

Sustainable offer status	Green Premium product
California proposition 65	WARNING: This product can expose you to chemicals including: Lead and lead compounds, which is known to the State of California to cause cancer and birth defects or other reproductive harm. For more information go to www.P65Warnings.ca.gov
REACH Regulation	REACH Declaration
EU RoHS Directive	Pro-active compliance (Product out of EU RoHS legal scope) EU RoHS Declaration
Mercury free	Yes
RoHS exemption information	Yes
China RoHS Regulation	China RoHS Declaration
Environmental Disclosure	Product Environmental Profile

Circularity Profile	End Of Life Information
WEEE	The product must be disposed on European Union markets following specific waste collection and never end up in rubbish bins.
Contractual warranty	
Warranty	18 months

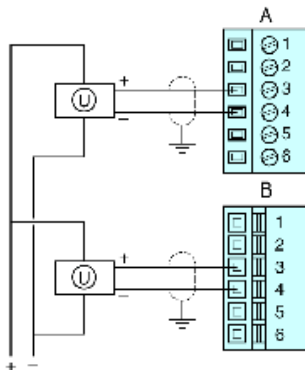
Dimensions



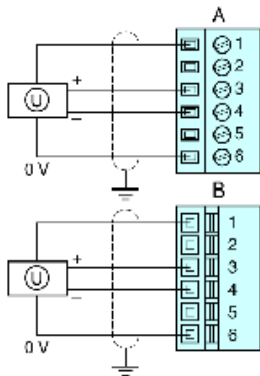
Wiring Diagrams

Examples

2 isolated analog sensors, external 24 VDC power supply



2 non-isolated analog sensors, 24 VDV supplied by the PDM



Pin	Top Connections	Bottom Connections
1	+24 VDC from field power bus for field device accessories	+24 VDC from field power bus for field device accessories
2	no connection	no connection
3	input from sensor 1	input from sensor 2
4	analog input return	analog input return
5	no connection	no connection
6	field power return (to the module)	field power return (to the module)

Product Life Status : **Commercialised**